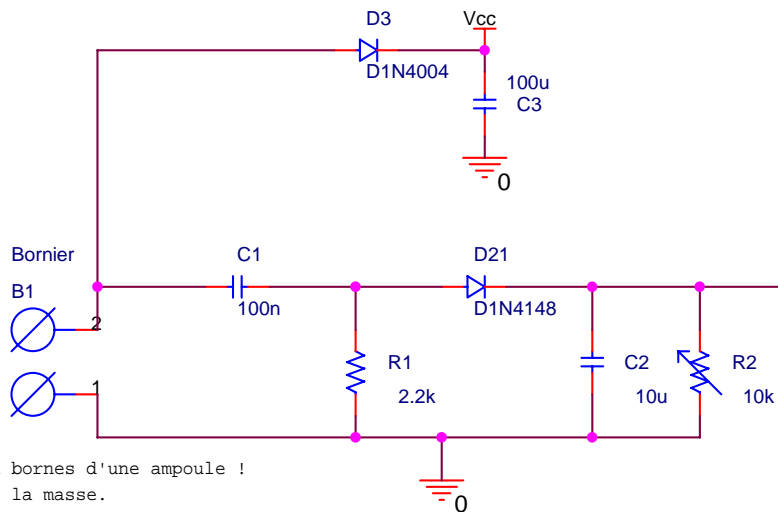
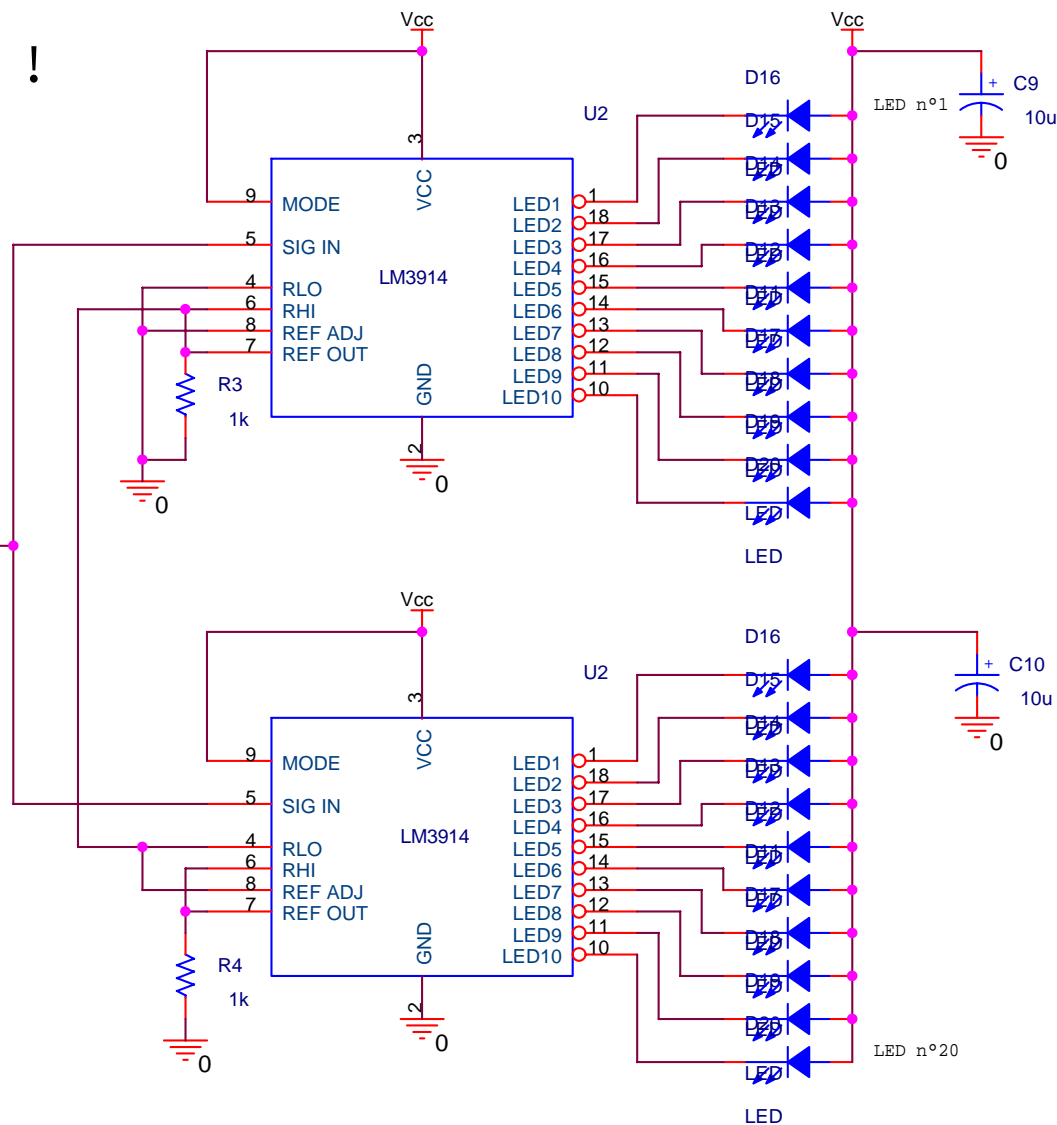


Working from 3V to 25V AC !



Aux bornes d'une ampoule !
1 à la masse.

Connect to any bulb !
1 to ground



KTy - 2006
<http://www.scootentole.org>

Title		
Digital tachometer for alternator based engines		
Size	Document Number	Rev
A	<Doc>	1.0
Date:	Thursday, February 09, 2006	Sheet 1 of 1